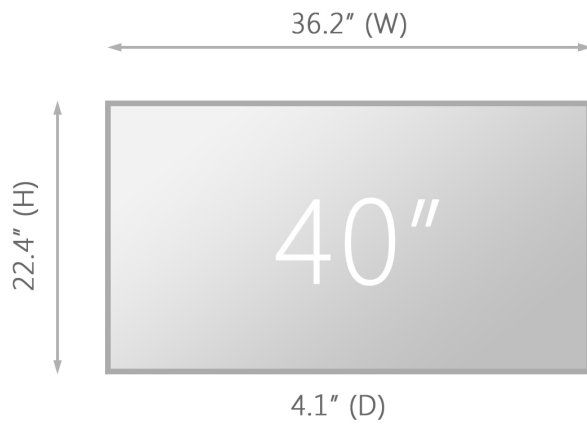


screen information

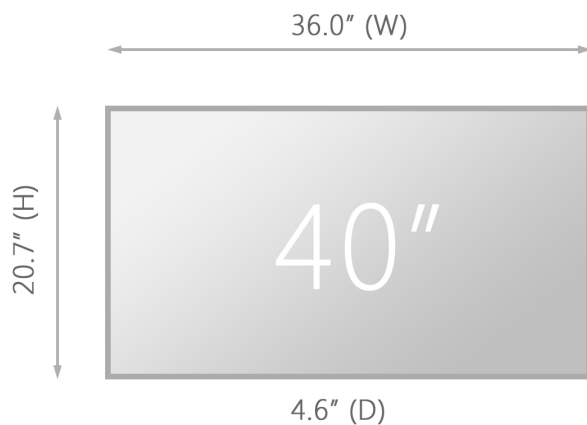
Nec P402



Display

Resolution : 1920*1080px
Width : 36.2"
Height : 22.4"
Depth : 4.1"
Bracket : SO64 (SOT64 if tilt)

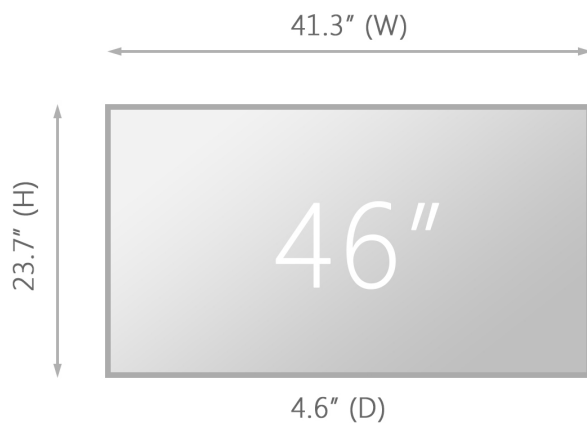
Samsung 400 UX-3



Display

Resolution : 1920*1080px
Width : 36.0"
Height : 20.7"
Depth : 4.6"
Bracket : SOT64 if tilt

Samsung 460 UX-3



Display

Resolution : 1920*1080px
Width : 41.3"
Height : 23.7"
Depth : 4.6"
Bracket : SOT75 if tilt

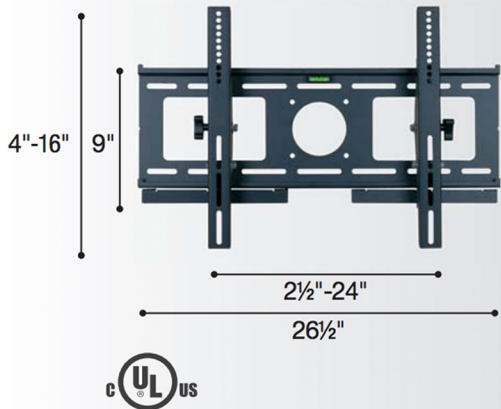
screen information

SOT64

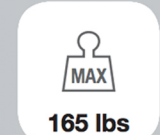
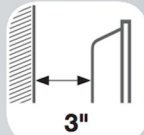
SOT

SOT64

VESA 50x100 to 600x400mm



Optional



- Bubble Level Meter
- Two Pad Locks Included
- Two Slide Bar Security Fasteners
- Wall and Ceiling Extensions available

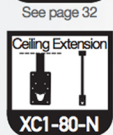
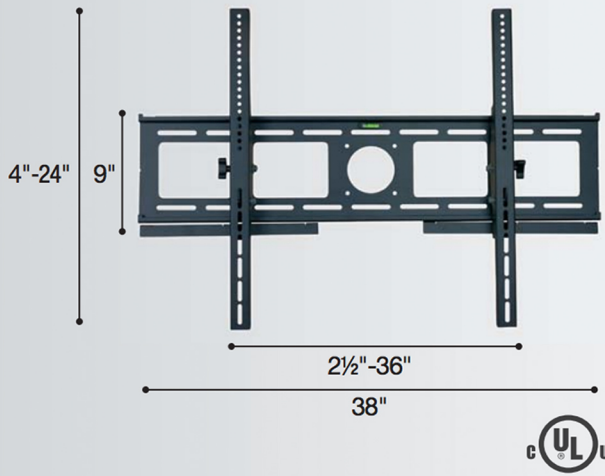
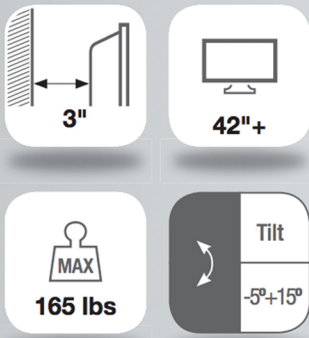


SOT96

SOT

VESA 50x100 to 900x600mm

SOT96

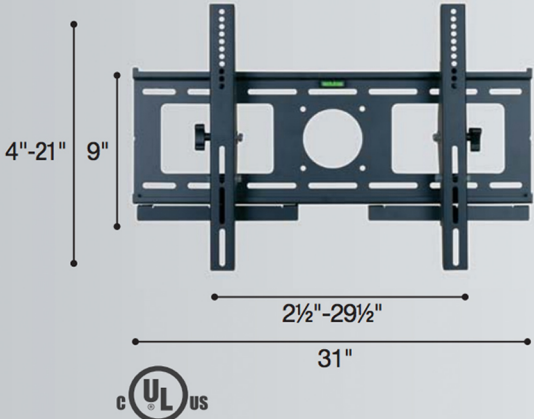


- Bubble Level Meter
- Two Pad Locks Included
- Two Slide Bar Security Fasteners
- Wall and Ceiling Extensions Available

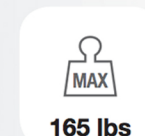
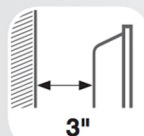
SOT75

VESA 50x100 to 700x500mm

SOT75



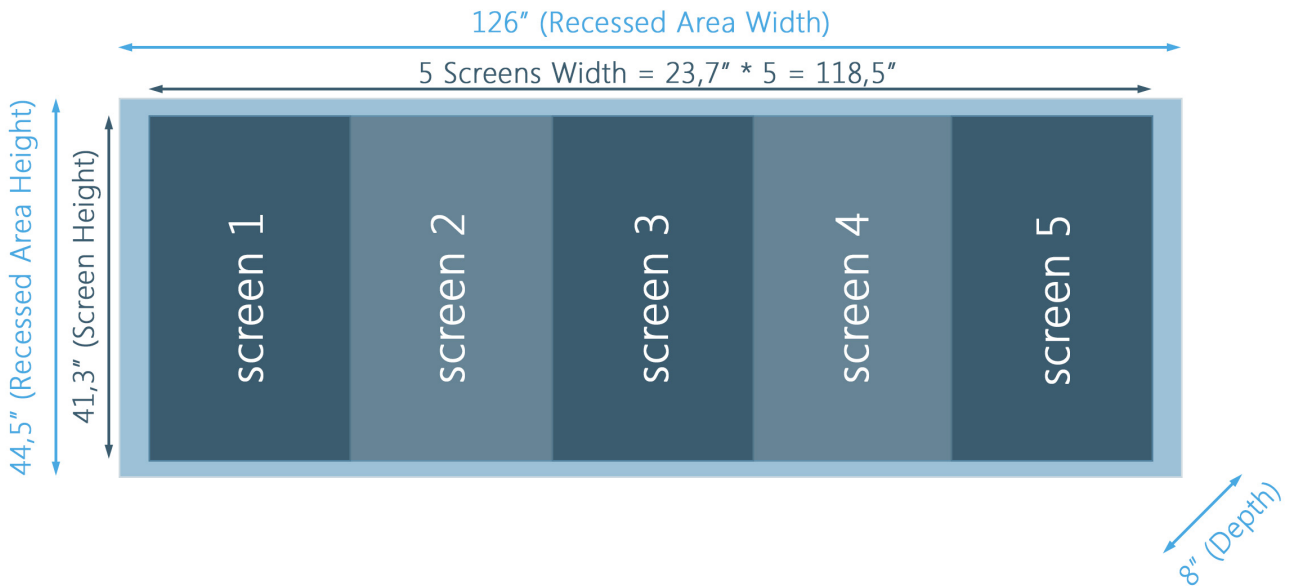
Optional



- Bubble Level Meter
- Two Pad Locks Included
- Two Slide Bar Security Fasteners
- Wall and Ceiling Extensions Available

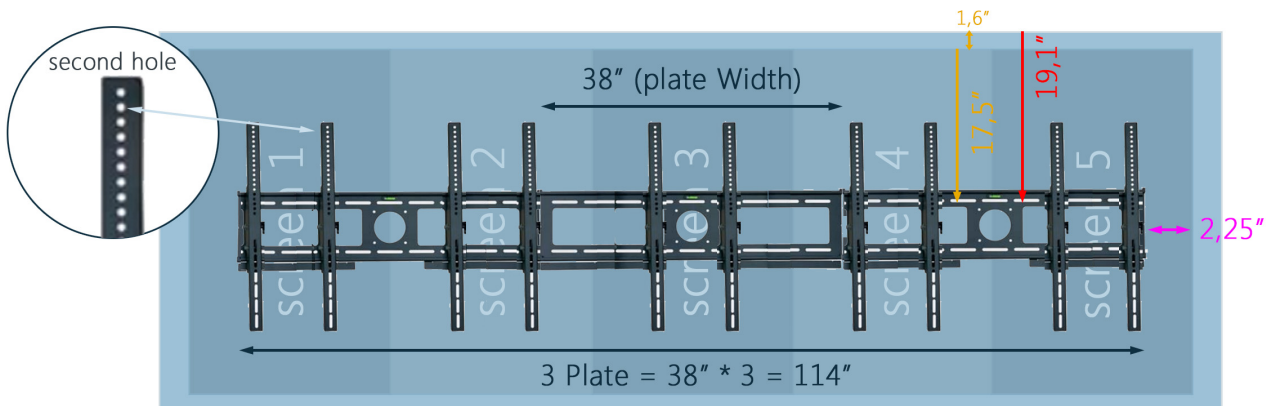


screen & bracket installation information



- | | |
|--|---|
| Recessed Area Depth : 8"
Screens Depth : 4,6"
SOT96 Depth : 3" | Free space left :
$8" - (4,6" + 3") = 0,4"$ |
| Recessed Area Width : 126"
Screens Width : 118,5" | Free space left :
$126" - 118,5 = 7,5"$
3,75" of free space on each side. |
| Recessed Area Height : 44,5"
Screens Height : 41,3" | Free space left :
$44,5" - 41,3 = 3,2"$
1,6" of free space on each side. |

The distance between the ceiling and the screens is : 1,6".
 The distance between the top of the screen and where the plate needs to be installed is 17,5" (if the screens are fixed on the second hole of the arm).
 To be centered, the plate needs to be fixed at $17,5" + 1,6" = 19,1"$ from the ceiling.



- | | |
|---|--|
| 1 Plate Width = 38".
3 Plates Width = $38" * 3 = 114"$.
5 Screens Width = $23,7" * 5 = 118,5"$. | Free space left :
$118,5" - 114" = 4,5"$
2,25" of free space on each side. |
|---|--|